



F-tone Networks

F-tone Networks 80km 1550nm SFP+ Optical Transceiver FTCS-151X-80DXX

Features

- ◆ □
- ◆
- ◆
- ◆
- ◆
- ◆



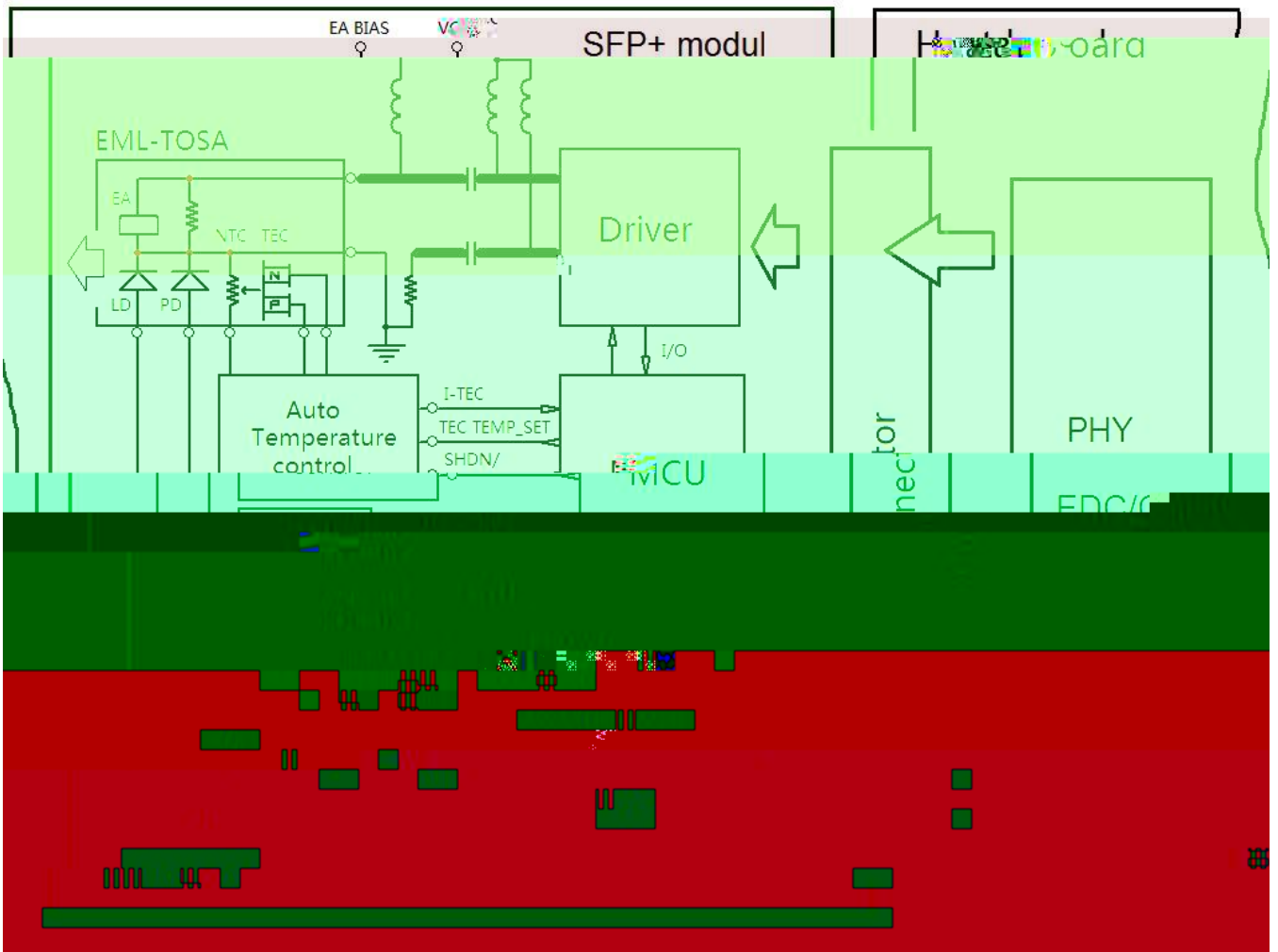


Figure1. Module Block Diagram

Absolute Maximum Ratings

Parameter	Symbol	Min	Max	Unit

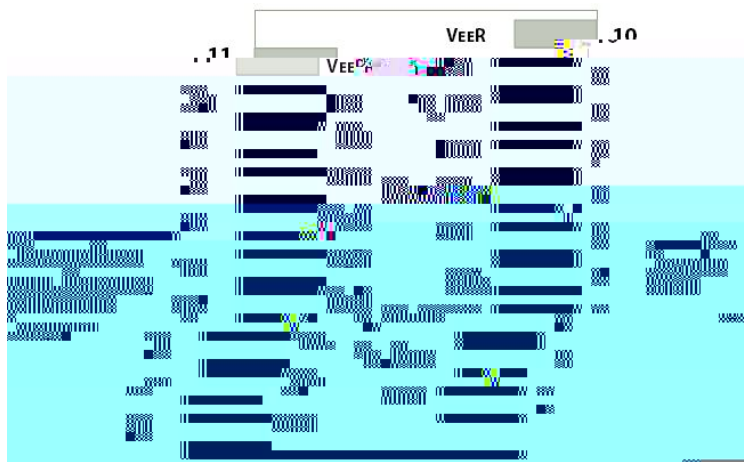
Operating Conditions

Parameter	Symbol	Min	Typical	Max	Unit



Digital Diagnostic Functions

Parameter	Symbol	Min.	Max	Unit	Notes
Accuracy					
Dynamic Range Accuracy					



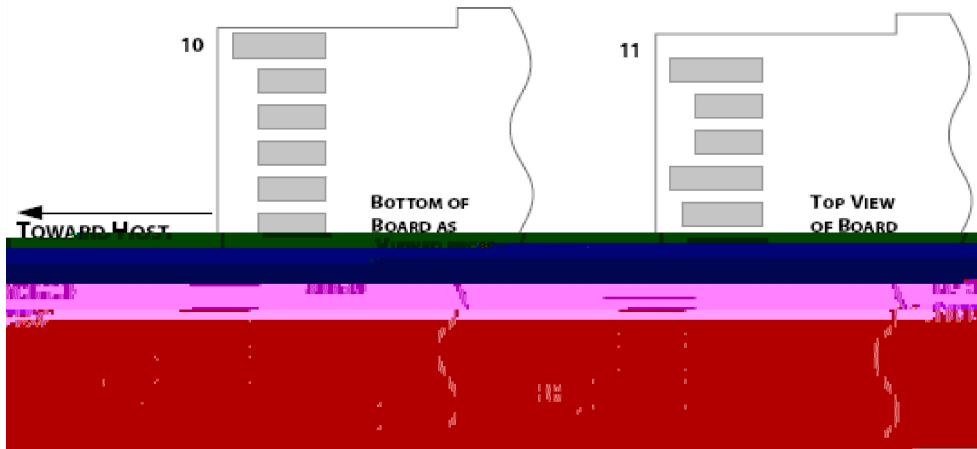


Figure2.Electrical Pin-out Details

Pin Descriptions

Notes:

- C
- C
- C
- C
- C

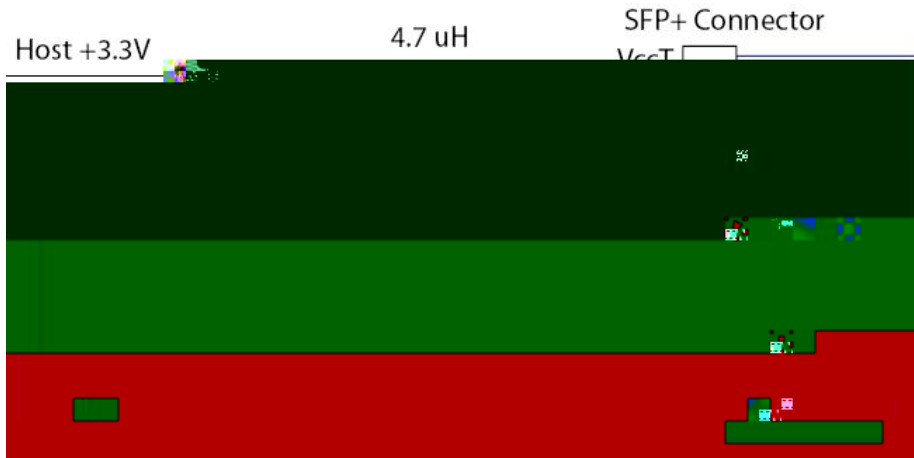


Figure3. Host Board Power Supply Filters Circuit

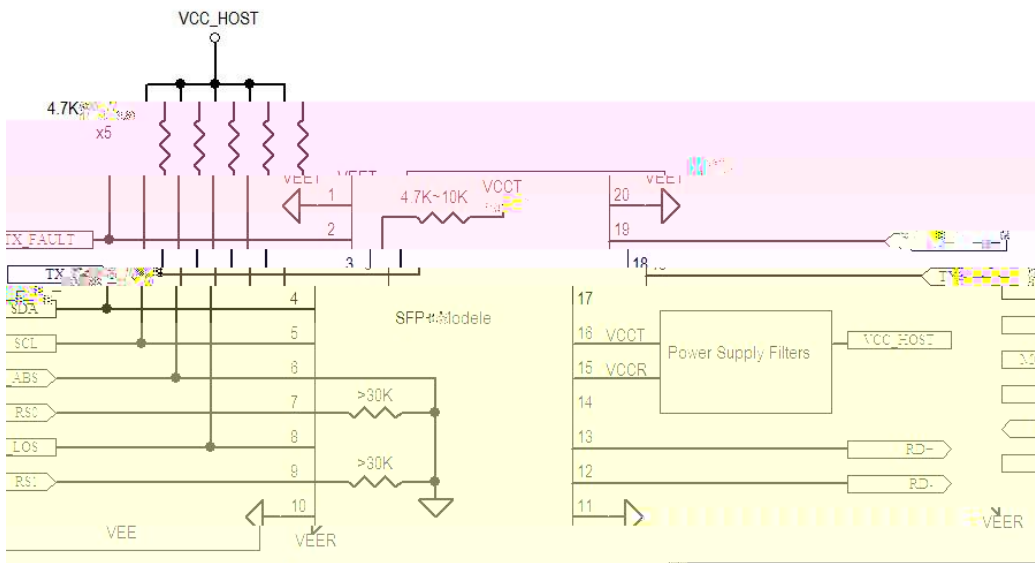


Figure4. Host-Module Interface

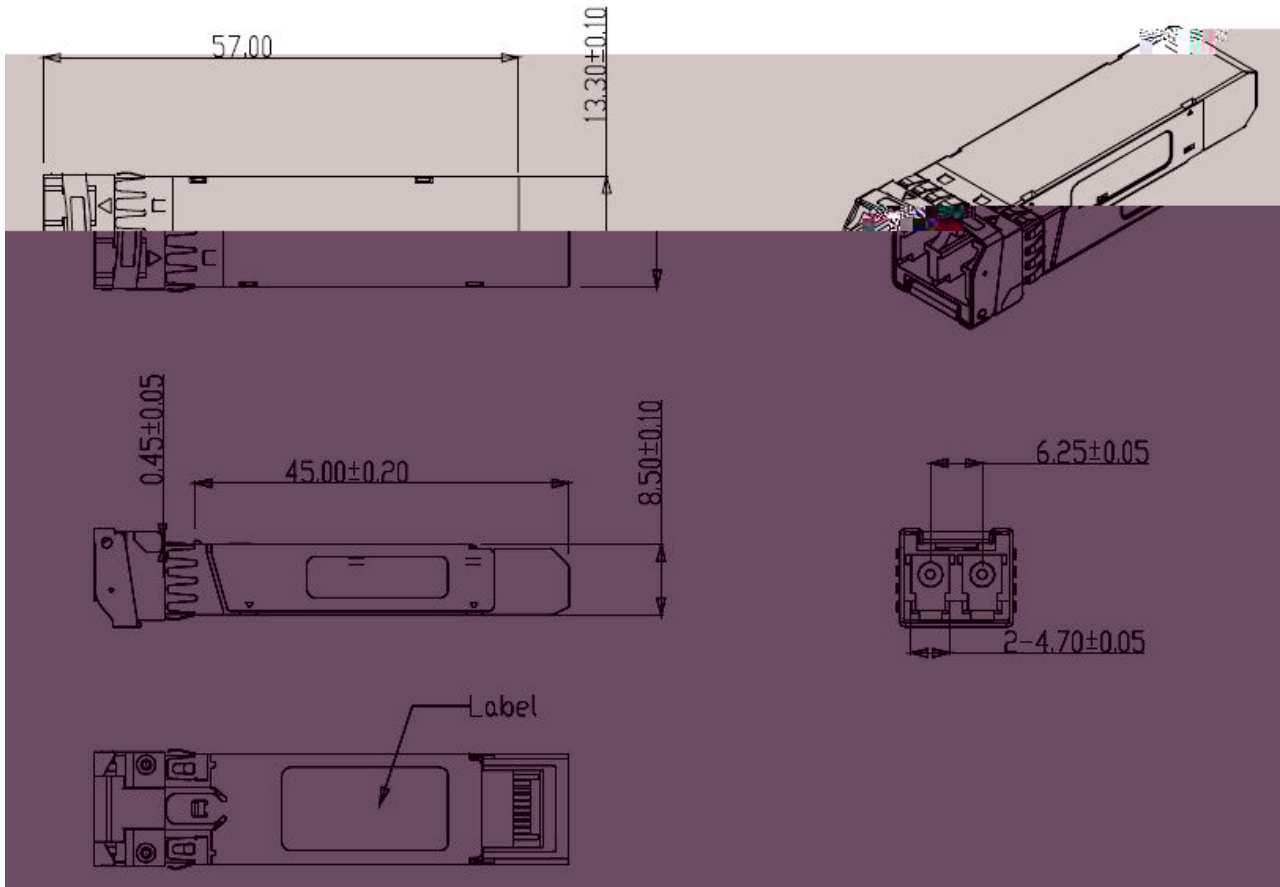


Figure5. Mechanical Specifications

Regulatory Compliance

Feature	Agency	Standard
		□



Ordering information

Part Number	Product Description

References

□

□

□

Important Notice

□

□

□